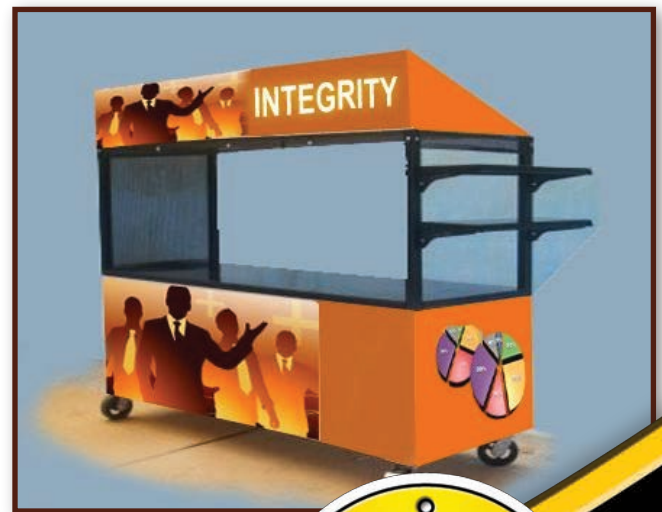


CART-KING INTERNATIONAL

Get your sales rolling...

EZ Kiosk

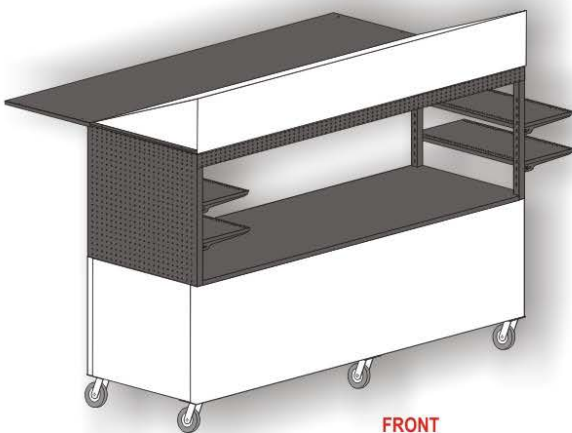
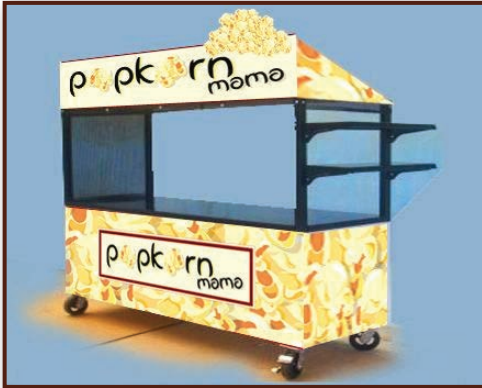
- 1 Powder coated steel
- 2 Food / Beverage / Retail
- 3 Four adjustable shelves
- 4 Fridge or freezer capable
- 5 Brand with your graphics
- 6 Extension sunshade
- 7 Six locking casters
- 8 Removeable canopy
- 9 Electricity ready
- 10 2.5' x 6' x 8' tall



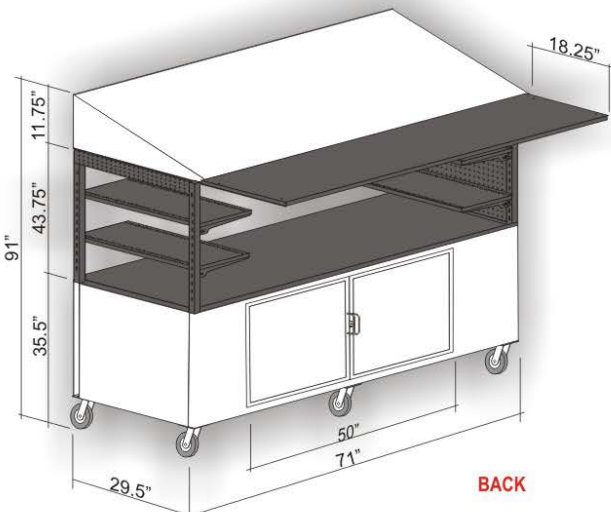
1-877-986-7771
www.cart-king.com
info@cart-king.com

Transform Your EZ-Kiosk With Your Own Colors and Branding

- Customize your EZ-Kiosk to your specifications.
- Decide your own graphical body wrap.
- Apply the brands, graphics and colors of your choice...



FRONT



BACK



EZ-KIOSK



1-877-986-7771
www.cart-king.com
info@cart-king.com